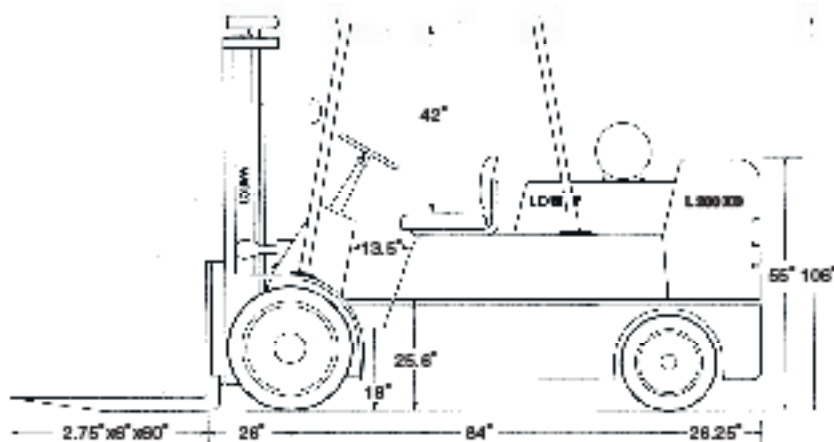


LOWRY

INDUSTRIAL LIFT TRUCKS



- An industry exclusive: at only 56" wide the L200XDS is the most maneuverable, shortest turning model available in this capacity range.
- Strongest "Super Clear View" mast and carriage assemblies available in a variety of two and three stage configurations to suit your application.
- Massive Rockwell Planetary Drive axle.
- Oil cooled, sealed, remote cooled, triple wet disc brakes guaranteed for three years or 3,000 hours!
- Dana extreme duty rated 20,000 series, electronic auto shift two speed transmission.
- Dana "APC" electronic speed and transmission shift controllers prevents operators from exceeding preprogrammed safe speed and safe transmission shift parameters.
- GM 5.7 liter Vortec V8 propane engine or . . .
- EPA Tier Two certified, clean burn, certified low emission, Cummins 3.3 turbo diesel.
- Thermal Systems "Bar and Plate" cooling technology provides optimal cooling for extreme duty applications.



L200XDS EXTREME DUTY SERIES

20,000 LBS. BASE CAPACITY @ 24" LOAD CENTER

1	Model	LOWRY Extreme-duty Forklift Series	L200XDS
2	Capacity	Rated Capacity	lb / kg 20,000 / 9,072
3	Load Carrier	At (Distance)	in / mm 24 / 610
4	Power Type	Standard LPG - Optional Turbo Diesel	Propane
5	Tire Type	Solid Cushion Drive / Steer	Poly / Poly
6	Standard Mast	Standard Max. Lift (Raised Fork Height)	in / mm 100 / 2,540
7	Lowry	Lowered Mast Height	in / mm 85 / 2,159
8	"Super Clear View" Mast Stage	Standard Free Lift	0 / 0
	Tire Stage	Note: Other mast options are available	Call for info
9	Fork	Length, Thickness, Width	in 39x2.75x7
	Blade Style		mm 1524x7x178
10	Overall	Length to Face of Fork	in / mm 128.5 / 3,264
11	Dimensions	Width	in / mm 56 / 1,422
12	Turning Radius	Minimum - (approx.)	in / mm 121/6073
13	Load Distance	Center of Drive Wheel to Face of Fork	in / mm 28.25 / 719

PERFORMANCE

14	Stability	Comply with ANSI?	Yes
15	Speed	Maximum Forward Travel - No Load	18.1 mph

UNIT WEIGHT

16	Total approx. wt	Standard Lift Truck	lb / kg 20,000 / 9,072
----	------------------	---------------------	------------------------

WHEELS / TIRES

17	Tire	Size Front	in 28x12x22
18		Size Rear	in 22x9x19
19	Wheel Base	Distance	in / mm 70 / 1,778
20	Ground	Under Counterweight - No Load	in / mm 0 / 0
21	Clearance	Center of Wheelbase - No Load	in / mm 7 / 178
22	Brake	Service - Type	Hydraulic Wet Disc
23		Parking - Method of Operation	Hand Lever Disc

POWER UNIT / TRANSMISSION / DRIVE AXLE

24	Battery	Voltage / Amp-Hours	12 volts / 650
25	Interaxial	Make / Model	GM Voltac V8
26	Combustion	Output Interaxial per SAE Standards	HP 140
27	Engine	Governor Speed	RP/M 2,800
28		No. of Cylinders / Displacement	cod V8 / 5.7 L
29	Engine Option	Cummins Low Emission Turbocharged Diesel	3.3 L
30	Transmission	Dana 20,000 Series Powershift - Fully Automatic	Electronic-Auto
31	Speeds	Forward / Reverse - Lockable "Still Low"	2 / 2
32	Controller	APC Electronic Transmission Shift and Speed Controller	Yes
33	Drive Axle	Rockwell Extreme-duty Rated Planetary	Yes

Specifications subject to change without notice.

application@lowry.com.au 07 3855 8558