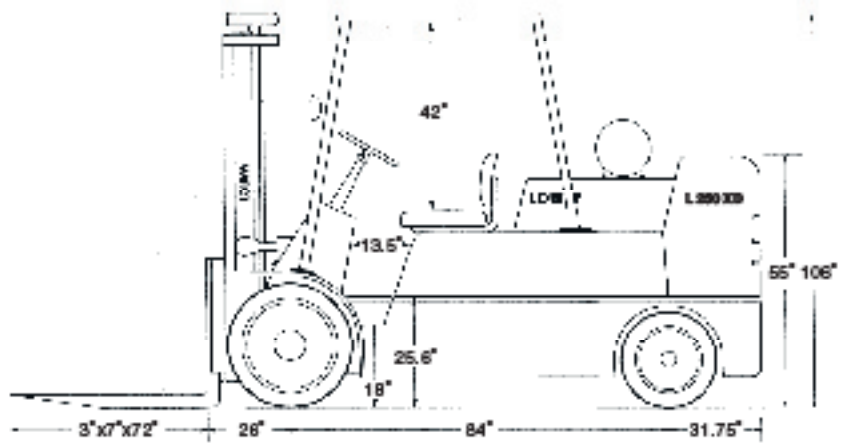


# LOWRY

## INDUSTRIAL LIFT TRUCKS



- An industry exclusive: at only 56' wide the L250XD is the most maneuverable, shortest turning model available in this capacity range.
- Strongest "Super Clear View" mast and carriage assemblies available in a variety of two and three stage configurations to suit your application.
- Massive Rockwell 75,000 lb. rated Planetary Drive axle.
- Oil cooled, sealed, remote cooled, triple wet disc brakes guaranteed for three years or 3,000 hours!
- Dana extreme duty rated 32,000 series, electronic auto shift three speed transmission.
- Dana "APC" electronic speed and transmission shift controllers prevents operators from exceeding preprogrammed safe speed and safe transmission shift parameters.
- GM 5.7 liter Vortec V8 propane engine or . . .
- EPA Tier Two certified, clean burn, certified low emission, Cummins 4.5 turbo diesel.
- Thermal Systems "Bar and Plate" cooling technology provides optimal cooling for extreme duty applications.



### L250XD EXTREME DUTY SERIES

25,000 LBS. BASE CAPACITY @ 24" LOAD CENTER

1	Model	LOWRY Extreme-duty Rated Series	L250XD
2	Capacity	Rated Capacity	lb / kg 25,000 / 11,340
3	Load Center	At (Distance)	in / mm 24 / 610
4	Power Type	Standard LPG (Optional Turbo Diesel)	Propane
5	Tire Type	Solid Cushion - Drive / Steer	Poly / Poly
6	Standard Mast	Standard Max. Lit (Fork Height)	in / mm 111 / 2,806
7	Lowy	Lowered Mast Height	in / mm 100 / 2,540
8	'Super Clear View' Two Stage	Standard Free Lit	NO
		Note: Other mast options are available	Call for info
9	Fork	Length, Thickness, Width	in 72x3x7
	Steel Style		mm 1,820x76x178
10	Overall	Length to Face of Forks	in / mm 141.75 / 3600
11	Dimension	Width	in / mm 56 / 1,422
12	Turning Radius	Minimum - (approx.)	in / mm 122.68 / 311
13	Load Distance	Center of Drive Wheel to Face of Forks	in / mm 24 / 610

#### PERFORMANCE

14	Stability	Comply with ANSI?	Yes
15	Speed	Maximum Forward Travel Speed - No Load	Mph 11.8

#### UNIT WEIGHT

16	Total approx wt	Standard Lift Truck	lb / kg 30,220 / 13,720
----	-----------------	---------------------	-------------------------

#### WHEELS / TIRES

17	Tire	Size Front	in 22x14x22
18		Size Rear	in 22x8x18
19	Wheel Base	Distance	in / mm 84 / 2,134
20	Ground	Under Carriage/wheel - No Load	in / mm 11 / 278
21	Clearance	At Center of Wheel Base - No Load	in / mm 7 / 178
22	Brakes	Service - Type	Hydraulic triple disc
23		Parking - Method of Operation	Hand lever disc

#### POWER UNIT / TRANSMISSION / DRIVE AXLE

24	Battery	Voltage / Amp-Hours	32 volts / 125
25	Inherent	Make / Model	GM Vortec V8
26	Combustion	Output International per SAE Standards	HP 140
27	Engine	Governor Speed	RPM 2,600
28		No. of Cylinders / Displacement	cc 8 / 5.7L
29	Engine Option	Common Law Emission Turbocharged Diesel	4.5 L
30	Transmission	Dana 32,000 Series Powershift - Fully Automatic	Yes
31	Speeds	Forward / Reverse - Lockable "Full Low"	3 / 3
32	Controller	APC Electronic Transmission Shift and Speed Controller	Yes
33	Drive Axle	Rockwell Extreme-duty Rated Planetary	Yes

Specifications subject to change without notice.

Copyright © 2004 Lowry Forklifts, Inc. All rights reserved.