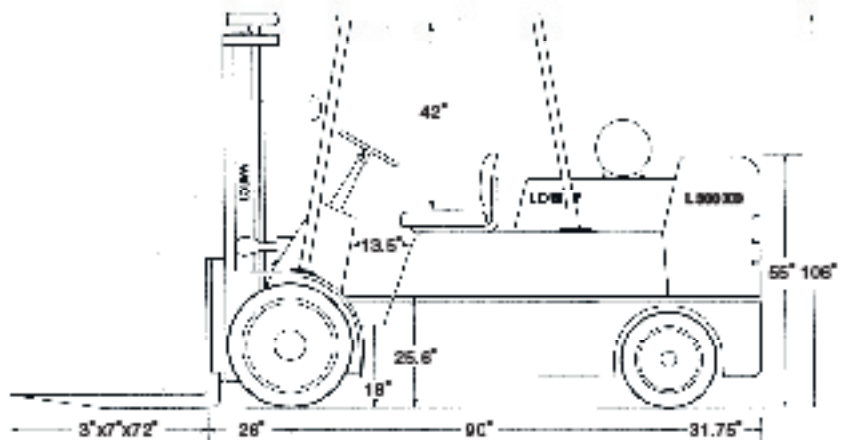


LOWRY

INDUSTRIAL LIFT TRUCKS



- An industry exclusive: at only 56" wide the L300XD is the most maneuverable, shortest turning model available in this capacity range.
- Strongest "Super Clear View" mast and carriage assemblies available in a variety of two and three stage configurations to suit your application.
- Massive Rockwell 75,000 lb. rated Planetary Drive axle.
- Oil cooled, sealed, remote cooled, triple wet disc brakes guaranteed for three years or 3,000 hours!
- Dana extreme duty rated 32,000 series, electronic auto shift three speed transmission.
- Dana "APC" electronic speed and transmission shift controllers prevents operators from exceeding preprogrammed safe speed and safe transmission shift parameters.
- GM 5.7 liter Vortec V8 propane engine or ...
- EPA Tier Two certified, clean burn, certified low emission, Cummins 4.5 turbo diesel.
- Thermal Systems "Bar and Plate" cooling technology provides optimal cooling for extreme duty applications.



L300XD EXTREME DUTY SERIES

30,000 LBS. BASE CAPACITY @ 24" LOAD CENTER

1	Model	LOWRY Extreme-duty Rated Series	L300XD
2	Capacity	Rated Capacity	lb / kg 30,000 / 13,608
3	Load Center	At (Distance)	in / mm 24 / 610
4	Power Type	Standard LPG (Optional Turbo Diesel)	Propane
5	Tire Type	Solid Cushion - Drive / Steer	Poly / Poly
6	Standard Mast	Standard Max. Lift (Forked Fork Height)	in / mm 80 / 2,032
7	Lower	Lowered Mast Height	in / mm 106 / 2,692
8	"Super Clear View" Mast Stage	Standard Free Lift	0 / 0
		Note: Other mast options are available	Call for info
9	Fork Size Style	Length, Thickness, Width	in 72x3x7
			mm 1,828x76x178
10	Overall Dimension	Length to Face of Fork	in / mm 144.5 / 3,670
11	Dimension	Width	in / mm 56 / 1,420
12	Turning Radius	Minimum - (approx.)	in / mm 190 / 4,876
13	Load Distance	Center of Drive Wheel to Face of Fork	in / mm 26 / 660

PERFORMANCE

14	Stability	Comply with ANSI?	Yes
15	Speed	Maximum Forward Travel Speed - No Load	MPH 9.8

UNIT WEIGHT

16	Total approx wt	Standard Lift Truck	lb / kg 32,500 / 14,748
----	-----------------	---------------------	-------------------------

WHEELS / TIRES

17	Tires	Size Front	in / mm 28x14x22
18		Size Rear	in / mm 28x2x16
19	Wheel Base	Distance	in / mm 90 / 2286
20	Ground Clearance	Under Counterweight - No Load	in / mm 8 / 203
21		At Center of Wheel Base - No Load	in / mm 7 / 178
22	Brakes	Service - Type	Hydraulic triple disc
23		Parking - Method of Operation	Hand lever disc

POWER UNIT / TRANSMISSION / DRIVE AXLE

24	Battery	Voltage / Amp-Hours	12 volts / 825
25	Inherent	Make / Model	GM Vortec V8
26	Combustion	Output Inherent per SAE Standards	HP 140
27	Engine	Governor Speed	RPM 2,800
28		No. of Cylinders / Displacement	conf V8 / 5.7L
29	Engine Option	Common Low Emission Turbocharged Diesel	4.5 L
30	Transmission	Dana 32,000 Series Powershift - Fully Automatic	Electronic Auto
31	Speeds	Forward / Reverse - Lockable "Full Low"	3 / 2
32	Controller	APC Electronic Transmission Shift and Speed Controller	Yes
33	Drive Axle	Rockwell Extreme-duty Rated Planetary	Yes

Specifications subject to change without notice.

eng@lowry.com.au lowry.com.au website