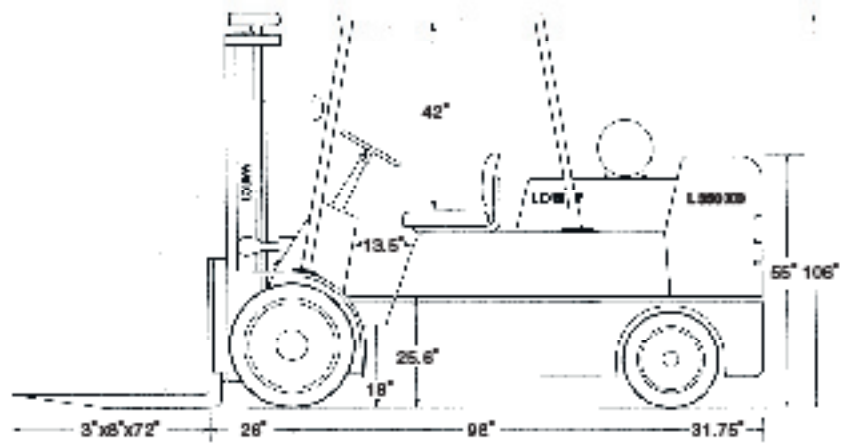


LOWRY

INDUSTRIAL LIFT TRUCKS



L350XD EXTREME DUTY SERIES

35,000 LBS. BASE CAPACITY @ 24" LOAD CENTER

- An industry exclusive: at only 56" wide the L350XD is the most maneuverable, shortest turning model available in this capacity range.
- Strongest "Super Clear View" mast and carriage assemblies available in a variety of two and three stage configurations to suit your application.
- Massive Rockwell 75,000 lb. rated Planetary Drive axle.
- Oil cooled, sealed, remote cooled, triple wet disc brakes guaranteed for three years or 3,000 hours!
- Dana extreme duty rated 32,000 series, electronic auto shift three speed transmission.
- Dana "APC" electronic speed and transmission shift controllers prevents operators from exceeding preprogrammed safe speed and safe transmission shift parameters.
- GM 5.7 liter Vortec V8 propane engine or . . .
- EPA Tier Two certified, clean burn, certified low emission, Cummins 4.5 turbo diesel.
- Thermal Systems "Bar and Plate" cooling technology provides optimal cooling for extreme duty applications.

1	Model	LOWRY Extreme-duty Rated Series	L350XD
2	Capacity	Rated Capacity	lb / kg 25,000 / 11,270
3	Load Center	At (Distance)	in / mm 24 / 609
4	Power Type	Standard LPG (Optional Turbo Diesel)	Propane
5	Tire Type	Solid Cushion - Drive / Steer	Poly / Poly
6	Standard Mast	Standard Mast, Lift (Raised Fork Height)	in / mm 80 / 2,032
7	Lowry	Lowered Mast Height	in / mm 118 / 2,992
8	"Super Clear View" Two-Stage	Standard Free Lift Note: Other mast options are available	0 / 0 Call for info
9	Forks	Length, Thickness, Width	in 72x3.5x36
	Shank Style		mm 1820x62.5x203.2
10	Overall	Length to Face of Forks	in / mm 155.75 / 3,950
11	Dimensions	Width	in / mm 55 / 1,402
12	Turning Radius	Minimum - (approx.)	in / mm 136 / 3,405
13	Load Distance	Center of Drive Wheel to Face of Forks	in / mm 26 / 660

PERFORMANCE

14	Stability	Comply with ANSI	Yes
15	Speeds	Maximum Forward Travel Speed - No Load	MPH 8

UNIT WEIGHT

16	Total approx. wt.	Standard Lift Truck	lb / kg 40,000 / 18,144
----	-------------------	---------------------	-------------------------

WHEELS / TIRES

17	Tires	Size Front	26 x16x22
18		Size Rear	22x8x16
19	Wheel Base	Distance	in / mm 86 / 2,183
20	Ground Clearance	Under Counterweight - No Load	in / mm 6 / 203
21		At Center of Wheelbase - No Load	in / mm 7 / 178
22	Brakes	Service - Type	Hydraulic triple disc
23		Parking - Method of Operation	Hand lever/choke

POWER UNIT / TRANSMISSION / DRIVE AXLE

24	Battery	Voltage / Amp-Hours	12 volts / 825
25	Internal	Make / Model	GM Vortec V8
26	Construction	Output Invariant per SAE Standards	HP 140
27	Engine	Governed Speed	RPM 2600
28		No. of Cylinders / Displacement	mm V8 / 5.7L
29	Engine Option	Complies Low Emission Turbocharged Diesel	4.5L
30	Transmission	Dana 32,000 Series PowerShift - Fully Automatic	Electronic-Auto
31	Speeds	Forward / Reverse - Lockable "Full Low"	8 / 3
32	Controller	APC Electronic Transmission Shift and Speed Controller	Yes
33	Drive Axle	Rockwell Extreme-duty Rated Planetary	Yes

Specifications subject to change without notice.

Copyright © 2004 Lowry Forklifts, Inc.